



DF 333-AC



Specification & Features

CONFIGURATION

Two-seat helicopter with dual controls
Side by side pilot/passenger cockpit configuration

MAIN CHARACTERISTICS

Gross weight	450 kg
Empty weight	260 kg
Max speed @ SL	177 km/h
Cruise speed @ SL	145 km/h
Climbing rate	6.50 m/s
Hover Ceiling IGE	4.100 m
Hover Ceiling OGE	2.450 m
Endurance @ cruise speed	3.5 h
Fuel consumption (70% power)	16 liters/h
Max range (20' reserve)	500 km
Fuel tank capacity	64 liters

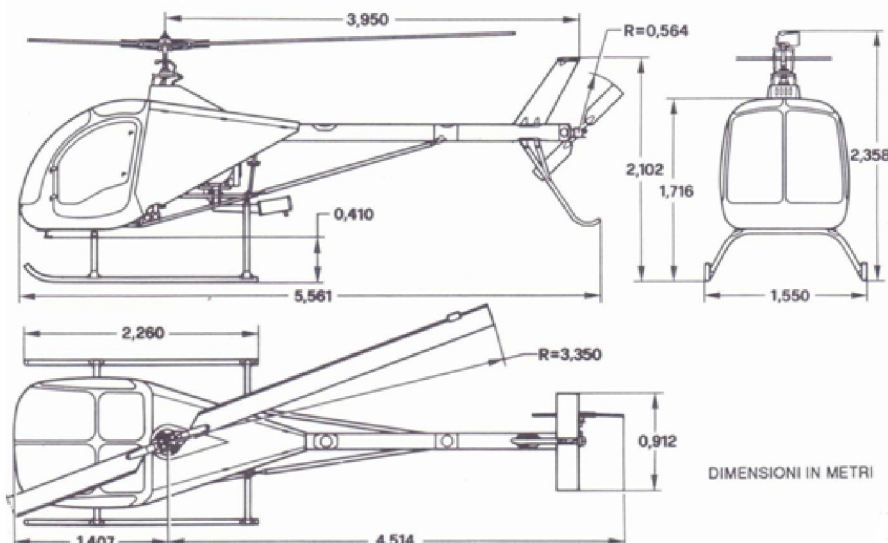
DIMENSIONS

Main rotor (diameter)	6.70 m
Tail rotor (diameter)	1.12 m
Cabin width	1.25 m
Total length (nose to tale)	5.56 m
Height (cabin roof above ground)	1.72 m
Height (main rotor above ground)	2.36 m



STANDARD EQUIPMENT

Dual controls
Two standard seats with 4 point safety belts
Luggage compartment
Wheels for ground handling
Strobe and landing light systems
EMS (Engine Monitoring System)
EFIS (Electronic Flight Information System)
Electrical trim
Magnetic compass
Digital clock



AVIONICS

Radio
Pilot/Passenger Intercom
Transponder
Emergency Local Transmitter (opt.)
GPS (optional)
VOR (optional, for school)

AVIO INTERNATIONAL GROUP HOLDING S.A.

Legal place of business: Via Lugano, 13 – 6982 Agno - Switzerland

Italian factory: Via Stazione, 122 – 21020 Mornago (VA) – Italy

www.aviointernational.com

info@aviointernational.com



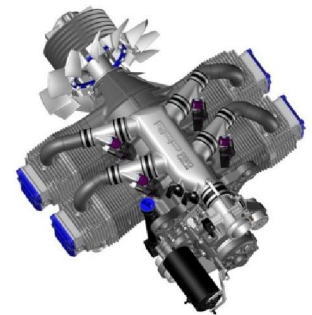
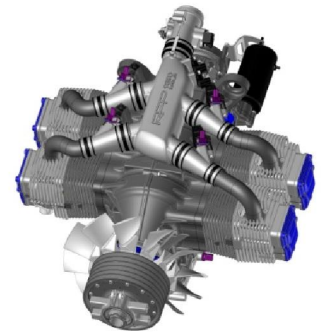
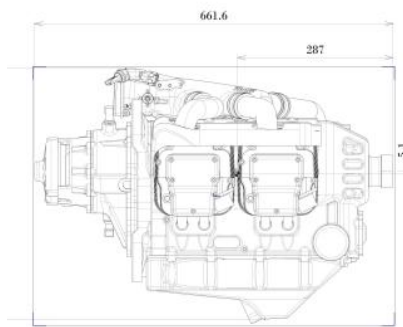
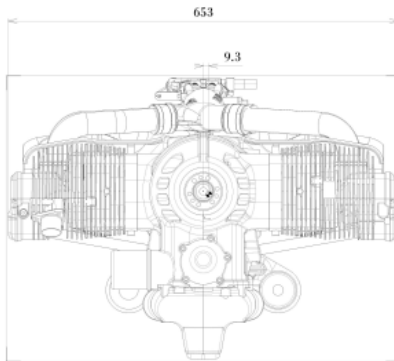
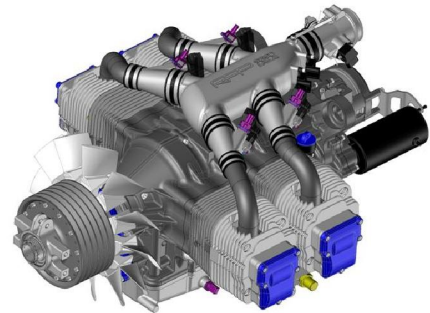
DF 333-AC



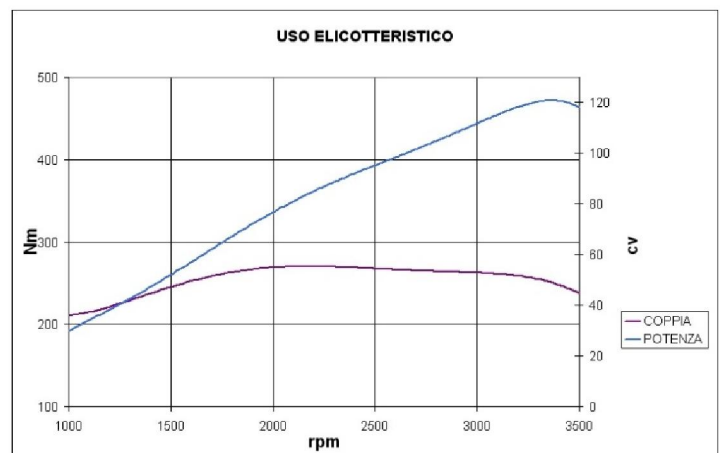
Specification & Features

ENGINE

RAP 98-90 I FOUR
 Weight 67,5 kg
 Cylinder bore 98 mm
 Stroke 90 mm
 Compression ratio 11:1
 Max single engine power 120 HP at 3.250 RPM
 Cooling system (patented) mixed oil-air
 Starter electric
 Fuel unleaded 95 octane



Cylinders	In Aluminium alloy with NIKASIL coating , oil cooled
Pistons	Forged in aluminium alloy with double rings system
Head	Oil cooling system , 2 parallel valves , Heron camera
Adjusting Valves	Automatic , with hydraulic recover free play game
Camshafts	8 cams system , with different intake profile and exhaust profile



AVIO INTERNATIONAL GROUP HOLDING S.A.

Legal place of business: Via Lugano, 13 – 6982 Agno - Switzerland

Italian factory: Via Stazione, 122 – 21020 Mornago (VA) – Italy

www.aviointernational.com

info@aviointernational.com